

Scaled data based on original data using
LM-79-08 Approved Method: Electrical and Photometric Measurements of Solid-State
Lighting Products

Test Report Prepared for
Cooper Lighting Solutions
(formerly Eaton)

Brand: STREETWORKS

Report Number: P571656

Luminaire Tested: **UFLD-CA2-180-730-U-66-TS2_UFLD**

Issue Date: 9/21/2021

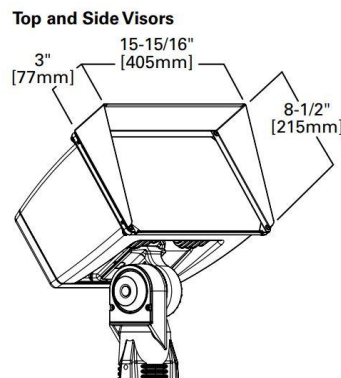
Test Information

Test Method: LM-79-08
Report Number: P571656
TEST IS SCALED FROM IESNA LM-79-08 TEST DATA (G2-2109-378-4)
Test Lab: COOPER LIGHTING SOLUTIONS
Issue Date: 9/21/2021
Manufacturer: COOPER LIGHTING SOLUTIONS (FORMERLY EATON)
Product Line: STREETWORKS
Catalog Number: UFLD-CA2-180-730-U-66-TS2_UFLD
Description: FLOOD LIGHT, 6x6 OPTIC WITH TOP AND SIDE VISOR
Light Source: (2) 3000K CCT, 70 CRI LEDS
Ballast/Driver: -

Summary

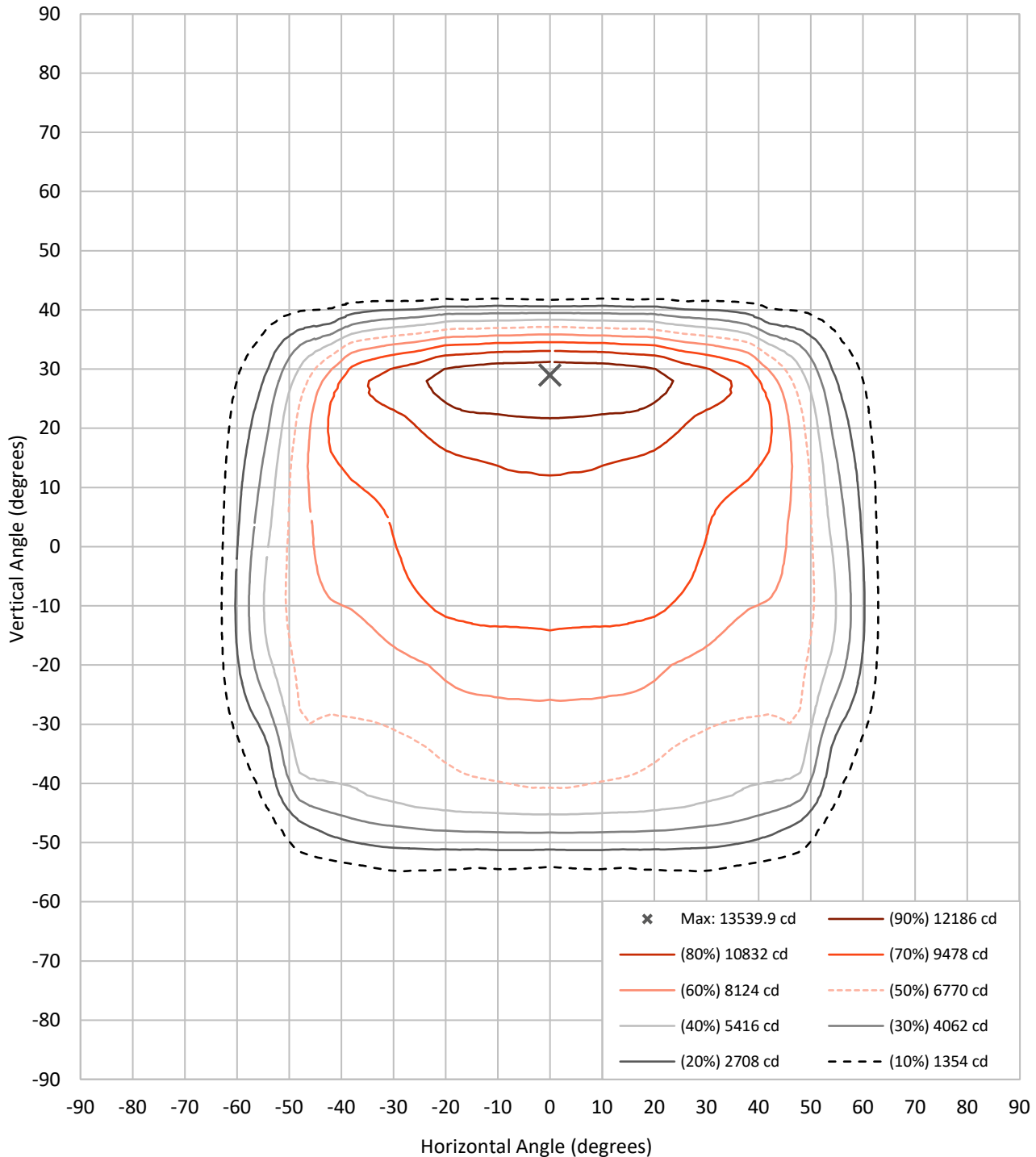
Lumens per Lamp:	N/A	NEMA Type:	6H x 5V
Luminaire Lumens:	22378 lumens	Max Intensity:	13539.9 candela
Efficiency:	N/A	Max Intensity Angle:	0°H x 29°V
Efficacy:	122.4 lumens/watt		
Luminous Opening:	Rectangular (W 1.25' x L: 0.67' x H: 0')		
Beam Angle (50%):	91.9°H x 77.9°V	Field Angle (10%):	119.5°H x 95.8°V
Beam Lumens:	17228.2 lumens	Field Lumens:	21806.5 lumens
Beam Efficiency:	77.0%	Field Efficiency:	97.4%

Input Watts (W): 182.8
Input Voltage (V): 120
Input Current (A_{in}): NR
Voltage Rise (V): NR
Power Factor: NR
Total Harmonic Distortion (THDi): NR
Frequency (hertz): 60
Stabilization Time: NR
Operation Time: NR
Ambient Temperature (°C): NR
Test Distance: 25 FT



REPORT NUMBER: P571656
CATALOG NUMBER: UFLD-CA2-180-730-U-66-TS2_UFLD

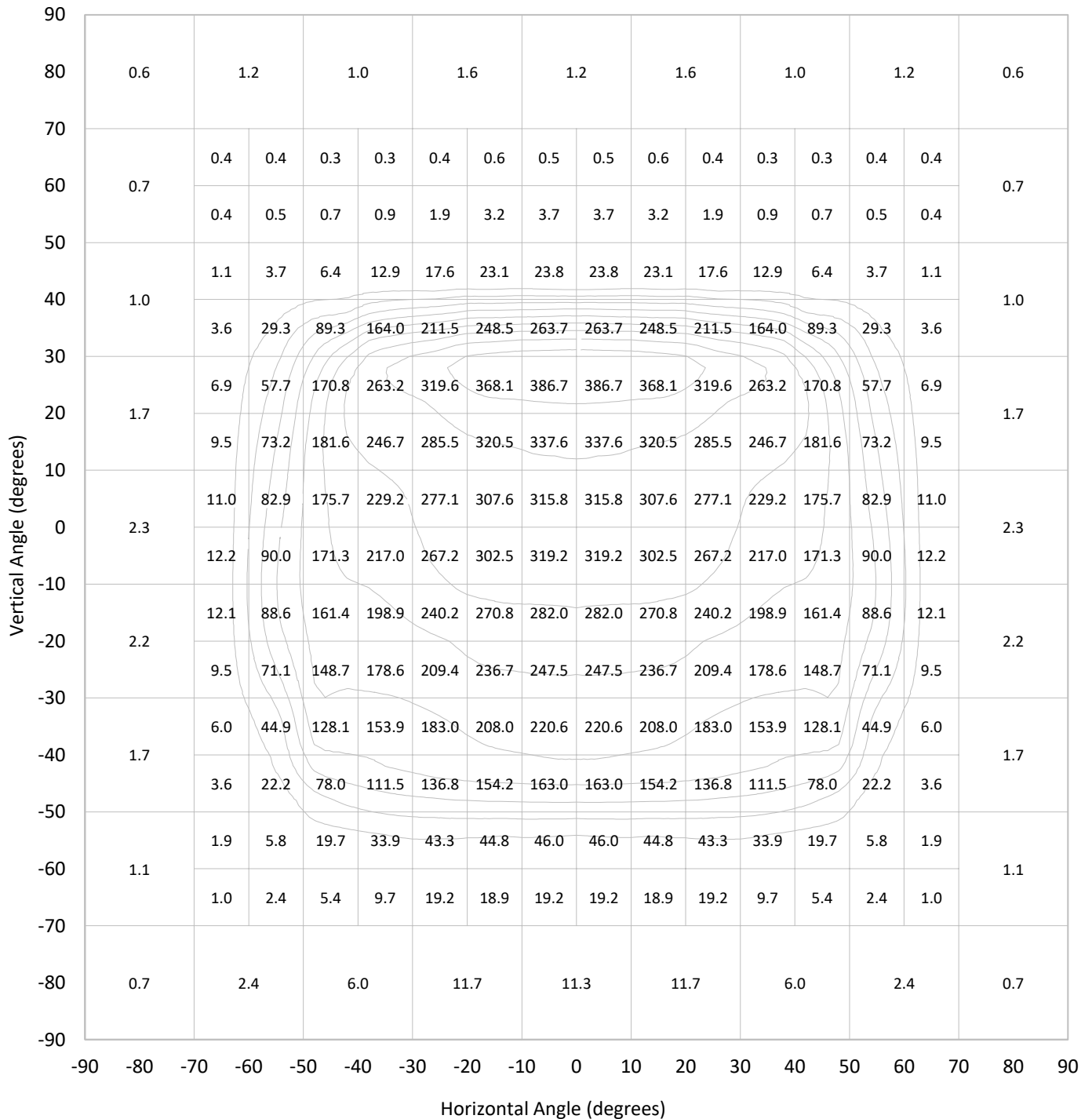
Iso-Candela Plot





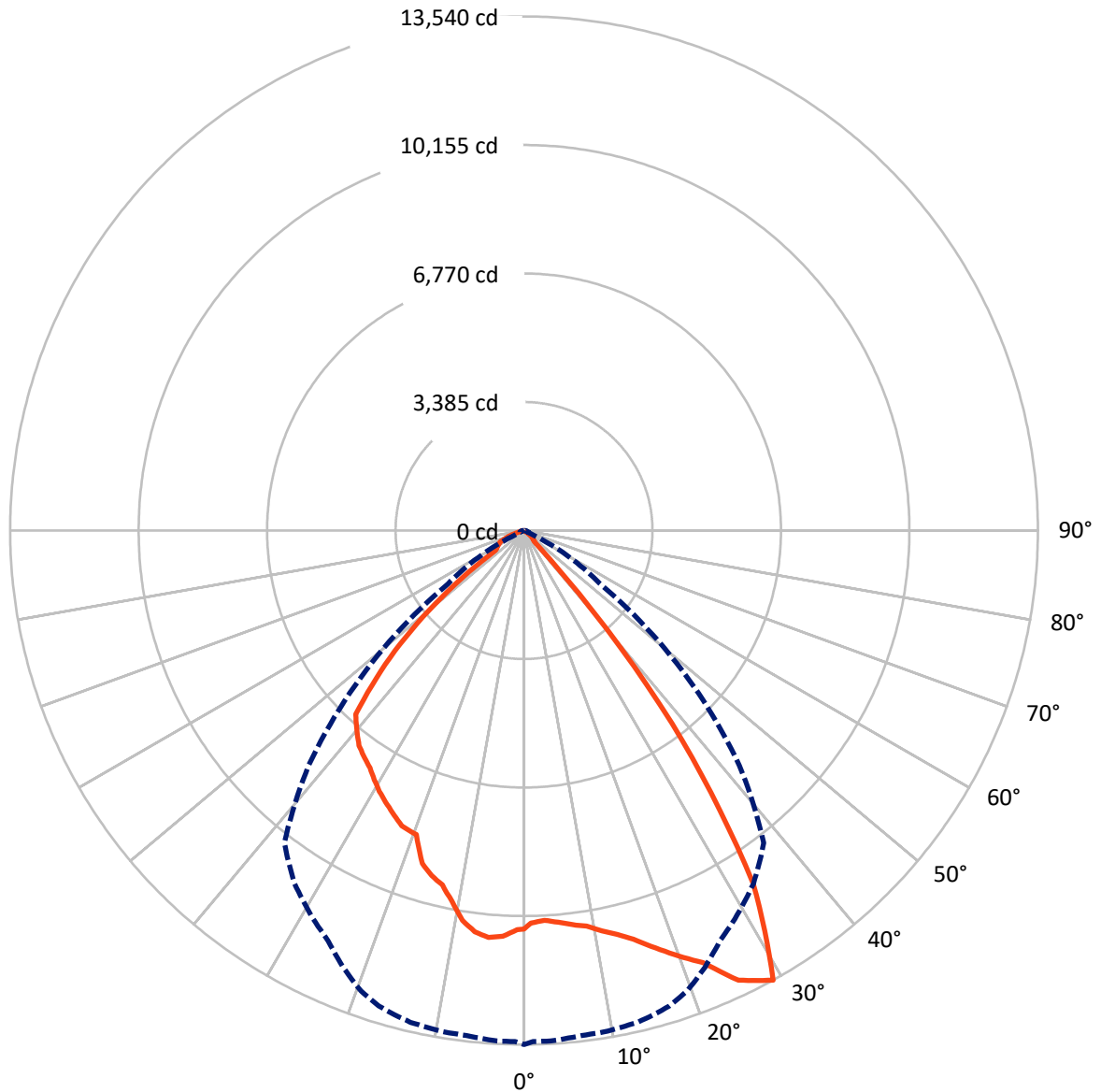
REPORT NUMBER: P571656
 CATALOG NUMBER: UFLD-CA2-180-730-U-66-TS2_UFLD

Lumen Table



REPORT NUMBER: P571656
CATALOG NUMBER: UFLD-CA2-180-730-U-66-TS2_UFLD

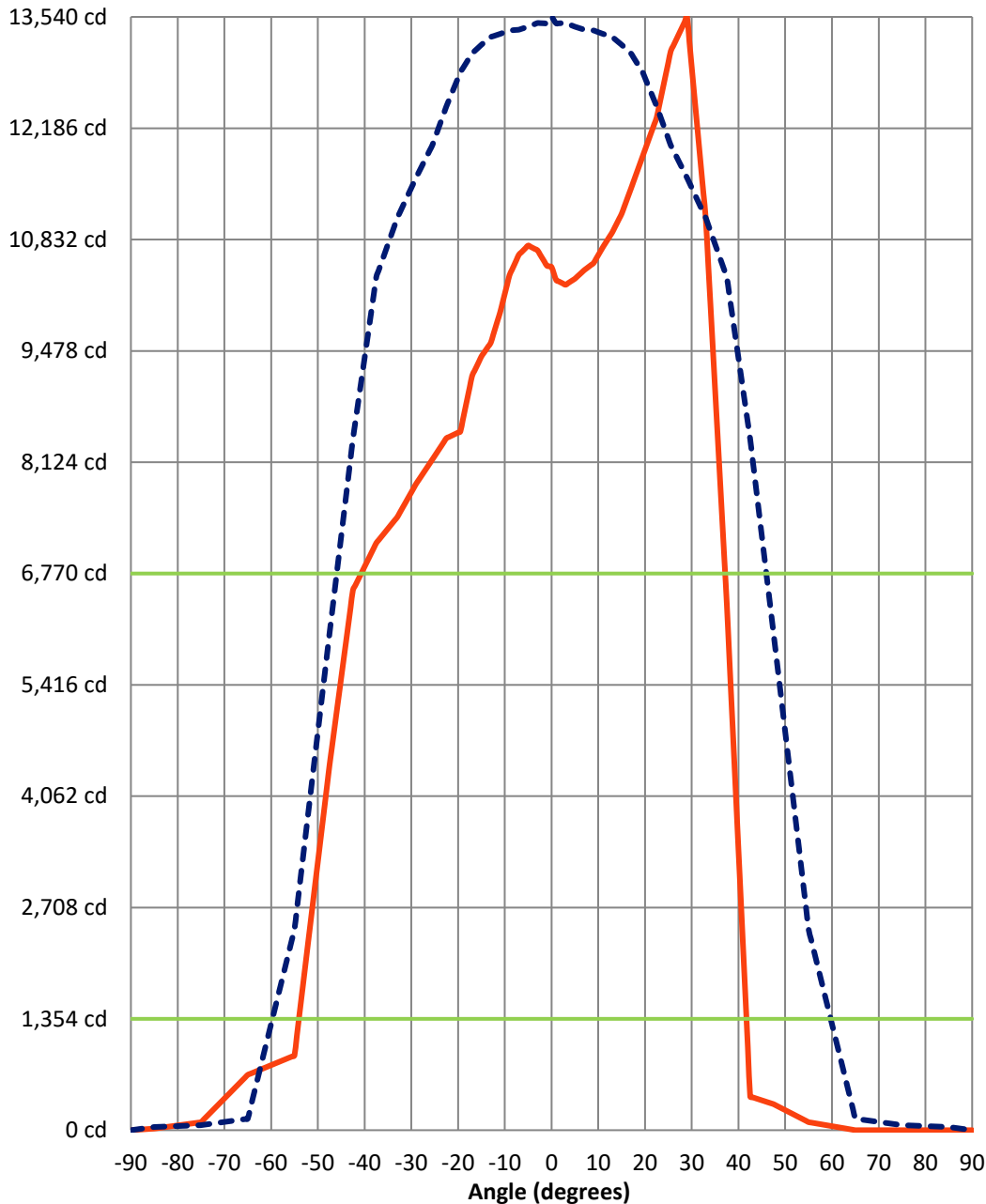
Luminous Intensity Polar Plot



— Vertical Distribution Through 0-Deg - - - Horizontal Distribution Through 29-Deg

REPORT NUMBER: P571656
 CATALOG NUMBER: UFLD-CA2-180-730-U-66-TS2_UFLD

Luminous Intensity Plot



Beam:
 H Angle: 91.9°
 V Angle: 77.9°
 Lumens: 17228.2
 Efficiency: 77.0%

Field:
 H Angle: 119.5°
 V Angle: 95.8°
 Lumens: 21806.5
 Efficiency: 97.4%

Spill:
 Lumens: 571.5
 Efficiency: 2.6%

— Vertical Distribution through 0-Deg
 - - - Horizontal Distribution through 29-Deg



REPORT NUMBER: P571656
 CATALOG NUMBER: UFLD-CA2-180-730-U-66-TS2_UFLD

FIELD
 BEAM

CANDELA DISTRIBUTION:

	0°	1°	3°	5°	7°	9°	11°	13°	15°	17°	19.5°
90°	0.0	0.0	0.0	0.0	0.0	0.0	0.0	0.0	0.0	0.0	0.0
85°	0.0	6.1	15.3	19.3	20.4	22.4	22.4	24.4	24.4	23.4	22.4
75°	0.0	2.0	6.1	9.2	11.2	13.2	14.3	14.3	14.3	13.2	13.2
65°	0.0	1.0	4.1	6.1	8.1	9.2	9.2	10.2	10.2	10.2	9.2
55°	97.8	100.8	98.8	97.8	97.8	95.7	91.7	85.5	78.4	79.4	74.3
47.5°	316.7	313.6	314.7	312.6	309.6	300.4	295.3	291.2	288.2	287.2	273.9
42.5°	409.4	422.6	461.3	543.8	631.4	725.1	730.2	658.9	572.3	477.6	665.0
37.5°	6404.4	6503.1	6372.8	6338.2	6166.1	6202.7	6172.2	6075.4	6068.3	6123.3	6056.1
33°	11085.7	11122.3	11054.1	11035.8	11000.1	11000.1	10961.4	10788.3	10663.1	10585.7	10561.2
29°	13539.9	13460.5	13465.5	13420.7	13384.1	13374.9	13333.2	13295.5	13200.8	13095.9	12866.8
25.5°	13122.4	13081.6	13101.0	13026.6	13013.4	12958.4	12963.5	12912.6	12843.3	12734.4	12490.0
22.5°	12316.9	12321.9	12318.9	12280.2	12265.9	12216.0	12156.0	12144.8	12138.6	12059.2	11881.0
19.5°	11845.4	11795.5	11778.1	11803.6	11760.8	11697.7	11629.5	11583.6	11528.7	11506.3	11440.1
17°	11452.3	11399.3	11422.7	11386.1	11357.6	11275.1	11202.8	11140.7	11112.2	11072.4	10975.7
15°	11144.7	11103.0	11095.9	11068.4	11089.7	10988.9	10946.2	10893.2	10835.2	10777.1	10698.7
13°	10919.7	10929.9	10912.6	10840.3	10872.8	10792.4	10739.4	10672.2	10623.3	10570.4	10526.6
11°	10740.5	10753.7	10684.4	10681.4	10696.7	10591.8	10576.5	10498.1	10470.6	10475.7	10358.6
9°	10546.0	10575.5	10599.9	10567.3	10543.9	10502.2	10477.7	10449.2	10397.3	10405.4	10375.9
7°	10459.4	10435.0	10428.8	10475.7	10439.0	10399.3	10357.6	10372.8	10383.0	10411.5	10375.9
5°	10355.5	10369.8	10378.9	10350.4	10345.3	10360.6	10334.1	10364.7	10373.9	10577.5	10640.7
3°	10281.2	10334.1	10306.6	10272.0	10296.5	10319.9	10374.9	10380.0	10478.7	10597.9	10632.5
1°	10338.2	10375.9	10378.9	10378.9	10403.4	10478.7	10484.9	10515.4	10587.7	10637.6	10665.1
0°	10498.1	10474.7	10488.9	10467.5	10526.6	10565.3	10570.4	10546.0	10598.9	10768.0	10768.0
-1°	10514.4	10524.6	10566.3	10577.5	10562.2	10610.1	10535.8	10541.9	10567.3	10667.1	10573.4
-3°	10700.7	10703.8	10698.7	10702.8	10678.3	10665.1	10613.2	10571.4	10511.3	10416.6	10337.2
-5°	10759.8	10766.9	10740.5	10728.2	10673.2	10584.7	10557.2	10485.9	10388.1	10282.2	10205.8
-7°	10645.8	10647.8	10562.2	10585.7	10495.0	10393.2	10322.9	10224.2	10153.9	10051.0	9974.7
-9°	10397.3	10360.6	10301.6	10283.2	10197.7	10072.4	9976.7	9902.4	9866.7	9806.6	9823.9
-11°	9947.2	9917.6	9920.7	9870.8	9805.6	9750.6	9703.8	9673.2	9651.8	9626.4	9589.7
-13°	9576.5	9561.2	9510.3	9525.6	9493.0	9504.2	9514.4	9502.2	9476.7	9443.1	9390.1
-15°	9410.5	9398.3	9375.9	9358.6	9355.5	9355.5	9351.4	9346.3	9323.9	9240.4	9159.0
-17°	9173.2	9142.7	9140.6	9135.5	9124.3	9130.5	9118.2	9096.9	9090.7	9034.7	8955.3
-19.5°	8498.1	8513.3	8511.3	8533.7	8509.3	8551.0	8566.3	8567.3	8535.7	8500.1	8433.9
-22.5°	8415.6	8368.7	8374.8	8388.1	8364.7	8355.5	8351.4	8355.5	8323.9	8282.2	8175.3
-25.5°	8156.9	8175.3	8176.3	8149.8	8153.9	8157.9	8110.1	8107.0	8075.5	8029.6	7913.5
-29°	7858.5	7869.8	7844.3	7846.3	7803.6	7785.2	7729.2	7696.6	7644.7	7614.1	7501.1
-33°	7456.3	7481.8	7458.3	7451.2	7409.5	7376.9	7330.0	7306.6	7224.1	7149.8	7065.3
-37.5°	7140.6	7112.1	7105.0	7119.2	7064.2	7045.9	7001.1	6962.4	6904.4	6832.1	6725.1
-42.5°	6566.3	6602.9	6589.7	6547.9	6524.5	6455.3	6427.8	6393.2	6370.8	6359.5	6238.4
-47.5°	4439.0	4458.3	4452.2	4437.9	4422.7	4416.6	4387.0	4363.6	4358.5	4340.2	4282.1
-55°	908.4	931.8	949.1	991.9	1010.2	1036.7	1012.2	966.4	958.3	1054.0	1045.8
-65°	673.1	670.1	667.0	664.0	658.9	656.8	661.9	666.0	662.9	676.2	702.7
-75°	96.7	95.7	98.8	99.8	92.7	92.7	107.9	104.9	109.0	109.0	110.0
-85°	19.3	17.3	19.3	28.5	29.5	33.6	36.7	39.7	40.7	40.7	40.7
-90°	0.0	0.0	0.0	0.0	0.0	0.0	0.0	0.0	0.0	0.0	0.0



REPORT NUMBER: P571656
 CATALOG NUMBER: UFLD-CA2-180-730-U-66-TS2_UFLD

CANDELA DISTRIBUTION (continued):

	22.5°	25.5°	29°	33°	37.5°	42.5°	47.5°	55°	65°	75°	85°
90°	0.0	0.0	0.0	0.0	0.0	0.0	0.0	0.0	0.0	0.0	0.0
85°	20.4	18.3	16.3	14.3	12.2	13.2	15.3	19.3	27.5	31.6	34.6
75°	12.2	11.2	10.2	10.2	10.2	12.2	14.3	18.3	26.5	30.6	35.6
65°	9.2	8.1	7.1	7.1	7.1	9.2	14.3	19.3	27.5	31.6	35.6
55°	67.2	48.9	27.5	28.5	28.5	29.5	30.6	25.5	31.6	34.6	36.7
47.5°	233.2	165.0	99.8	78.4	78.4	68.2	59.1	44.8	58.0	37.7	36.7
42.5°	653.8	299.4	480.7	514.3	446.0	199.6	262.7	298.4	74.3	42.8	37.7
37.5°	5561.2	5324.9	5007.2	4742.4	4135.5	2610.0	2360.5	1037.7	88.6	48.9	37.7
33°	10189.5	9643.7	9377.9	8828.0	8405.4	6151.8	4747.5	1765.8	116.1	55.0	38.7
29°	12451.3	11979.8	11582.6	11094.8	10374.9	8405.4	6042.8	2443.0	139.5	61.1	38.7
25.5°	12113.2	11730.3	11345.4	10984.9	10597.9	9281.2	6840.2	2931.8	161.9	68.2	38.7
22.5°	11536.8	11118.3	10761.8	10550.0	10331.1	9568.3	7265.9	3273.0	183.3	75.4	39.7
19.5°	11098.9	10726.2	10399.3	10183.4	10164.1	9619.3	7503.1	3549.9	208.8	87.6	39.7
17°	10701.8	10395.2	10133.5	10034.7	10083.6	9486.9	7676.3	3779.1	232.2	95.7	39.7
15°	10433.9	10192.6	9980.8	9957.4	9924.8	9337.2	7805.6	3973.6	251.5	99.8	39.7
13°	10312.8	10099.9	9934.9	9912.5	9724.2	9161.0	7875.9	4151.8	266.8	102.9	39.7
11°	10171.2	10029.7	9943.1	9765.9	9502.2	8939.0	7881.0	4306.6	282.1	107.9	39.7
9°	10195.6	10011.3	9873.8	9595.8	9285.2	8827.0	7881.0	4447.1	279.0	111.0	39.7
7°	10206.8	10034.7	9750.6	9426.8	9115.2	8716.0	7901.3	4586.6	265.8	115.1	39.7
5°	10259.8	10010.3	9689.5	9294.4	8975.7	8636.6	7835.1	4729.2	260.7	118.1	39.7
3°	10262.9	10008.3	9664.1	9163.0	8877.9	8561.2	7827.0	4851.4	259.7	119.1	40.7
1°	10265.9	9998.1	9584.6	9032.7	8794.4	8523.5	7815.8	4987.8	262.7	119.1	40.7
0°	10250.6	9952.3	9551.0	9000.1	8742.5	8495.0	7829.0	5060.1	264.8	117.1	40.7
-1°	10233.3	9890.1	9468.5	8954.3	8702.8	8483.8	7814.8	5131.4	264.8	116.1	40.7
-3°	10106.0	9788.3	9391.2	8911.5	8633.5	8416.6	7761.8	5253.6	272.9	116.1	40.7
-5°	9973.6	9674.3	9308.7	8796.4	8549.0	8334.1	7776.1	5325.9	277.0	116.1	40.7
-7°	9842.3	9529.6	9192.6	8745.5	8424.7	8209.9	7738.4	5419.6	278.0	115.1	40.7
-9°	9628.4	9357.5	8999.1	8559.2	8262.8	8118.2	7725.1	5466.5	280.0	115.1	40.7
-11°	9448.2	9126.4	8802.6	8396.2	8106.0	7966.5	7662.0	5460.4	282.1	114.1	40.7
-13°	9196.7	8909.5	8615.2	8232.3	7971.6	7793.4	7597.9	5423.7	281.1	115.1	40.7
-15°	8969.6	8688.5	8392.2	8091.7	7820.9	7610.1	7502.1	5340.2	281.1	115.1	40.7
-17°	8739.4	8467.5	8189.5	7900.3	7670.2	7502.1	7430.8	5182.3	279.0	114.1	40.7
-19.5°	8224.1	8017.4	7844.3	7686.4	7493.0	7296.4	7318.8	4896.2	271.9	114.1	40.7
-22.5°	7964.5	7753.7	7577.5	7418.6	7265.9	7071.4	7200.7	4462.4	260.7	112.0	40.7
-25.5°	7729.2	7526.6	7345.3	7187.5	7083.6	6964.4	7093.8	3900.3	249.5	110.0	40.7
-29°	7331.0	7164.0	7014.3	6857.5	6774.0	6724.1	6922.7	3148.7	241.3	105.9	39.7
-33°	6888.1	6745.5	6598.9	6387.0	6297.4	6298.4	6520.4	2207.8	236.3	99.8	39.7
-37.5°	6576.5	6418.6	6199.7	5965.4	5801.5	5831.0	5875.8	1727.1	239.3	90.6	39.7
-42.5°	6076.4	5991.9	5727.2	5498.0	5198.6	4895.2	4443.0	1290.2	209.8	75.4	39.7
-47.5°	4248.5	4126.3	4014.3	3887.0	3609.0	3107.0	2374.8	510.2	187.4	59.1	39.7
-55°	1109.0	1095.7	1167.0	1073.3	878.8	655.8	571.3	195.5	141.5	50.9	39.7
-65°	763.8	793.3	623.2	414.5	209.8	178.2	278.0	105.9	77.4	44.8	38.7
-75°	106.9	95.7	75.4	79.4	83.5	78.4	71.3	43.8	43.8	40.7	37.7
-85°	39.7	37.7	36.7	35.6	33.6	31.6	31.6	32.6	36.7	39.7	37.7
-90°	0.0	0.0	0.0	0.0	0.0	0.0	0.0	0.0	0.0	0.0	0.0



REPORT NUMBER: P571656
CATALOG NUMBER: UFLD-CA2-180-730-U-66-TS2_UFLD

CANDELA DISTRIBUTION (continued):

	90°
90°	0.0
85°	0.0
75°	0.0
65°	0.0
55°	0.0
47.5°	0.0
42.5°	0.0
37.5°	0.0
33°	0.0
29°	0.0
25.5°	0.0
22.5°	0.0
19.5°	0.0
17°	0.0
15°	0.0
13°	0.0
11°	0.0
9°	0.0
7°	0.0
5°	0.0
3°	0.0
1°	0.0
0°	0.0
-1°	0.0
-3°	0.0
-5°	0.0
-7°	0.0
-9°	0.0
-11°	0.0
-13°	0.0
-15°	0.0
-17°	0.0
-19.5°	0.0
-22.5°	0.0
-25.5°	0.0
-29°	0.0
-33°	0.0
-37.5°	0.0
-42.5°	0.0
-47.5°	0.0
-55°	0.0
-65°	0.0
-75°	0.0
-85°	0.0
-90°	0.0

(END OF REPORT)